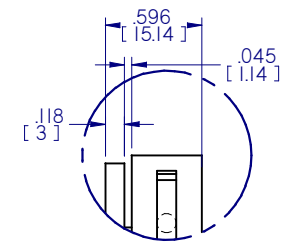
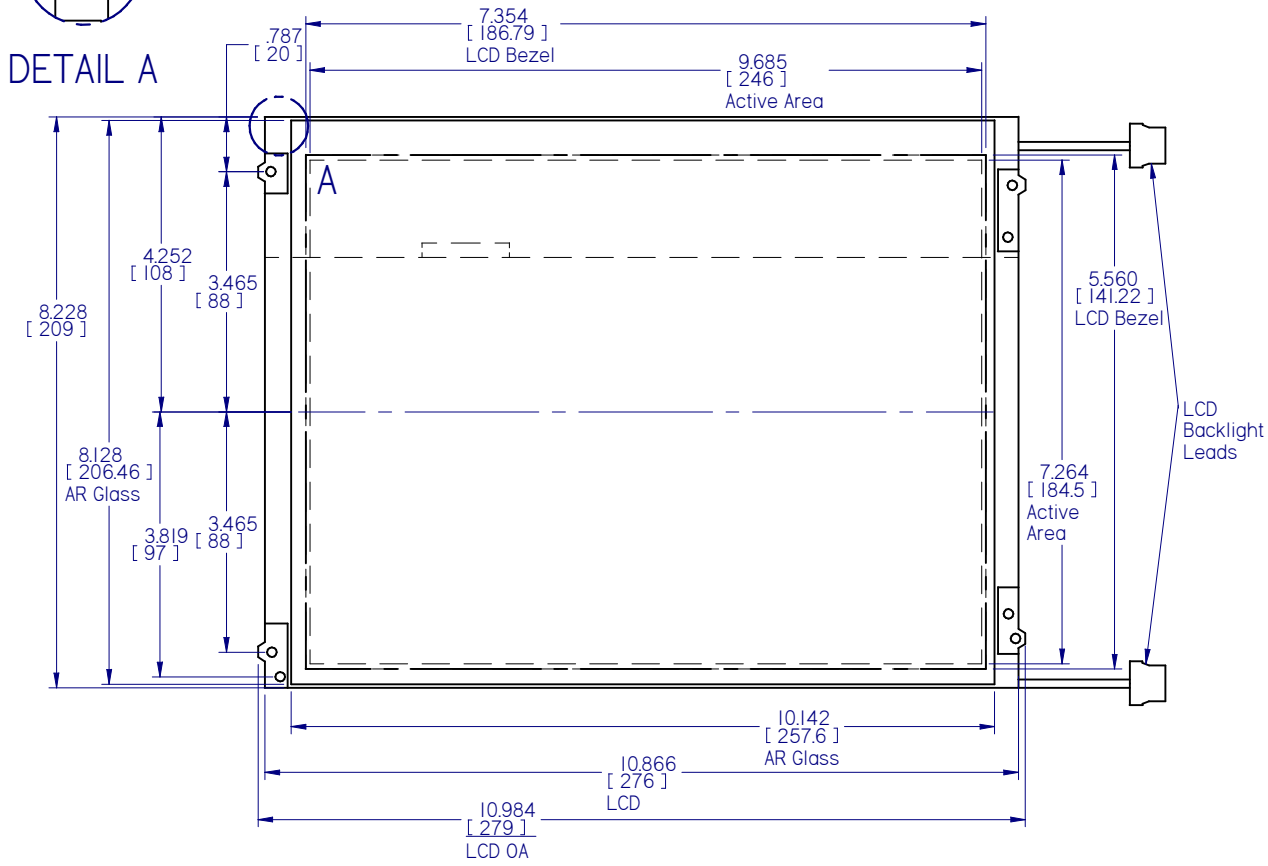
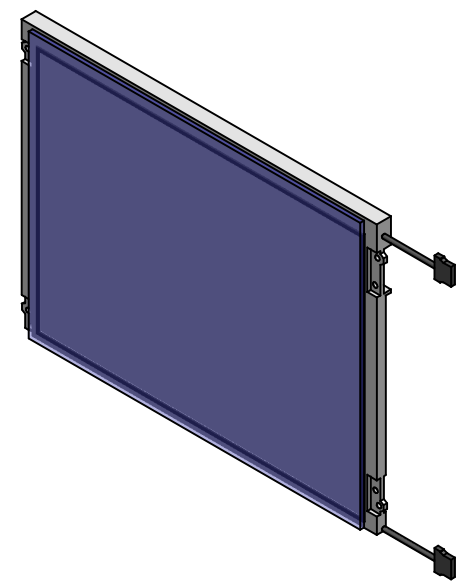


Issue	Description	AGILE Status	ECO	Date	Drawn By	Approved By
A	Development issue.			14 Feb 11	G Skupien	P Gregorcy



DETAIL B



	UNLESS OTHERWISE SPECIFIED DIMENSIONS ARE IN INCHES/mm ANGLES ±0.5° 2 PL ±0.030" 3 PL ±0.005" 1 PL ±0.76 2 PL ±0.13		TITLE CV121SV01 12.1 bonded assembly		
	APPROVED BY Perry Gregorcy		MATERIAL and FINISH FINAL SUPPLIED PART MUST BE FULLY COMPLIANT WITH EU DIRECTIVE 2002/95/EC, "RESTRICTION of use of HAZARDOUS SUBSTANCES" (RoHS)		
PROJECT NAME	SCALE SCALE	DATE 14 Feb 11	PART NUMBER CV121SV01		ISSUE A
DRAWN BY gskupien	DIMENSION in/mm A2	FILE NAME CV121SV01_A.dft		SHEET 1 / 1	